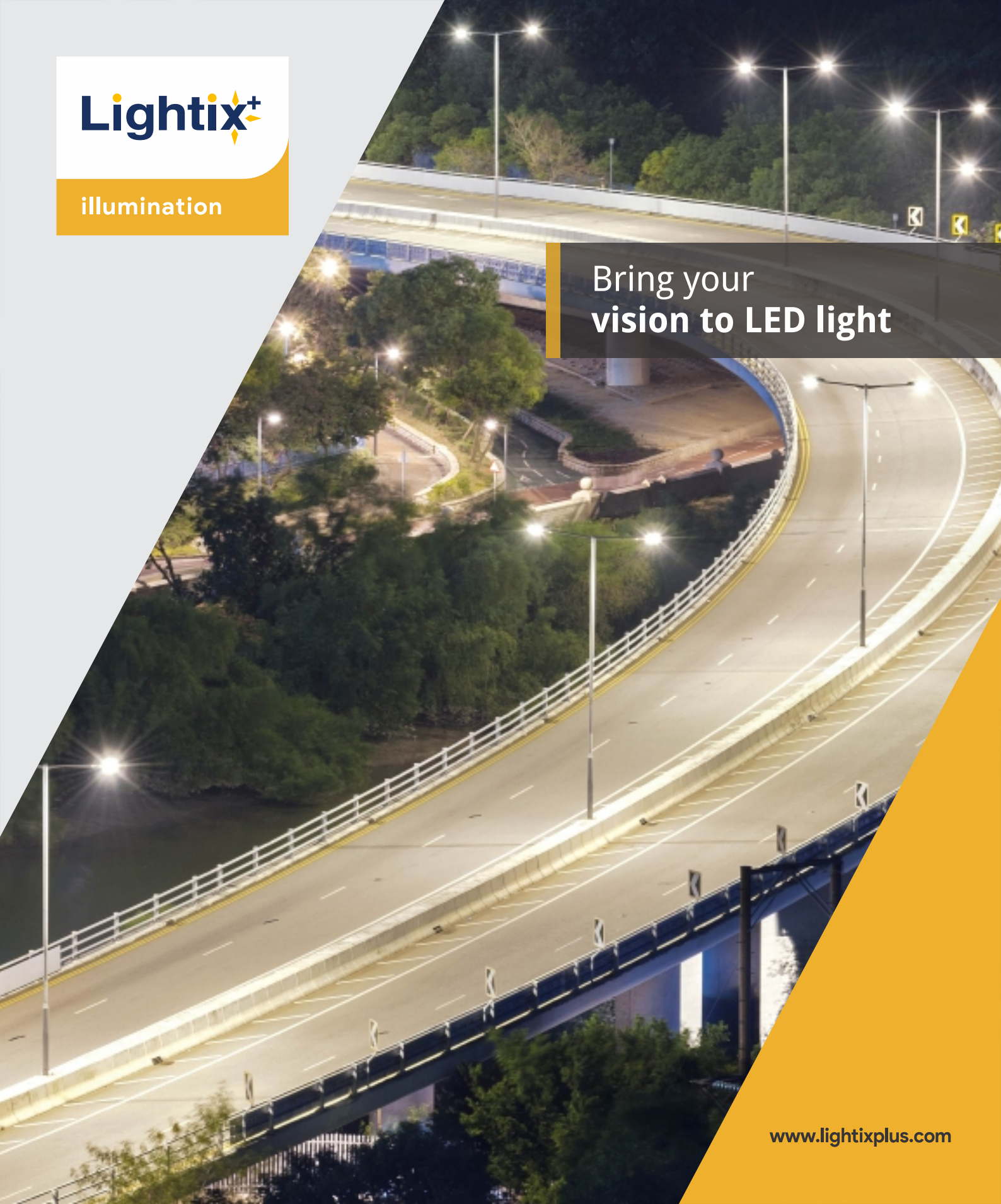


The logo for Lightix+ features the brand name in a bold, blue, sans-serif font. The plus sign is stylized as a yellow starburst with four points. The logo is positioned in the upper left corner of the page, set against a white background that is part of a larger graphic design.

Lightix+

illumination

The background of the advertisement is a high-angle, nighttime photograph of a multi-level highway interchange. The roads are illuminated by numerous tall, slender streetlights that cast a bright, white glow. The lights create a strong sense of depth and perspective as they follow the curves of the elevated ramps. The surrounding area is dark, with some greenery visible in the shadows. The overall scene conveys a sense of modern infrastructure and advanced lighting technology.

Bring your
vision to **LED light**

www.lightixplus.com



LIGHTIX PLUS ABOUT US

Lightix Plus born under SanJog Engineers and Consultants is well diversified 5 years old conglomerate, whose operation range from research, design and development of Indoor, Outdoor lights, Architectural Lights.

With a vision to become the global market leader in lighting industry, Lightix Plus has been delivering steady and customized lighting solutions to its customer. We offer full-customization options to cater the needs of individual client to the best of our potential.

At Lightix Plus, we have established state-of-the-art manufacturing unit where we comply industry best standards to deliver the quality products. At the forefront of technology, our products range from robust, compact, mystic and various series; thus creating scope for intelligent choices and making them an architect's delight.

CONTENT

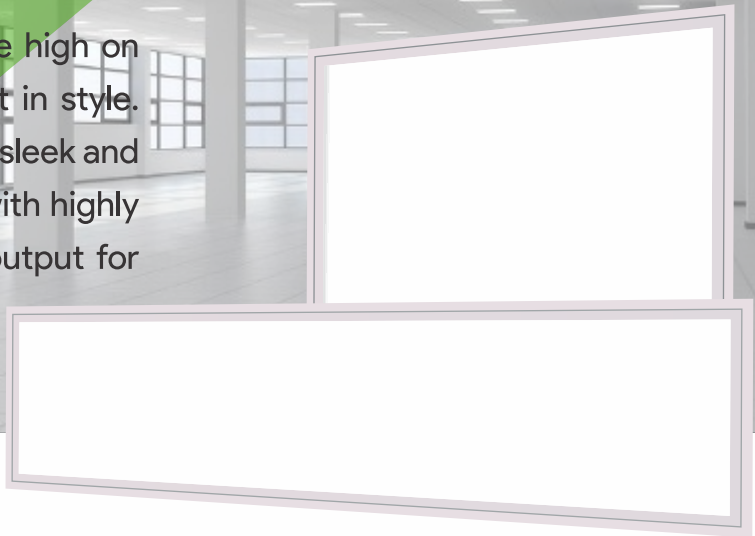
- Panel Lights
- Street Lights
- Flood Lights
- High Bay Lights
- All-in-One Solar Street Light
- Post Top Lights
- Pendant Lights
- Bollards
- Architectural Lights



Choose a Slim and Elegant Light for INDOOR NEEDS



Lightix Plus Panel Light Standard Series are high on performance while being classy and smart in style. The Panels are designed to be aesthetically sleek and slim using edge lit light guide technology with highly efficient driver delivering maximum light output for the energy consumed.



Features :-

- Stylish and slim design
- High Performance components for maximum durability
- High efficacy (>90 lumen / watt) and minimum glare with edge lit technology
- Uniform Illuminance with no dark spots
- BIS approved driver with wide voltage range (100 - 277V)
- Available in dimnable and non-dimmable models

PANEL LIGHT STANDARD SERIES

Common Features :-

- CRI : >80
- IP66
- CCT : 3000K / 5000K
- Life Hours : 50,000

Applications :-

- Residential
- Hospitality
- Hospital
- Office
- Retail
- Bank



NO UV



NO IR



NO MERCURY

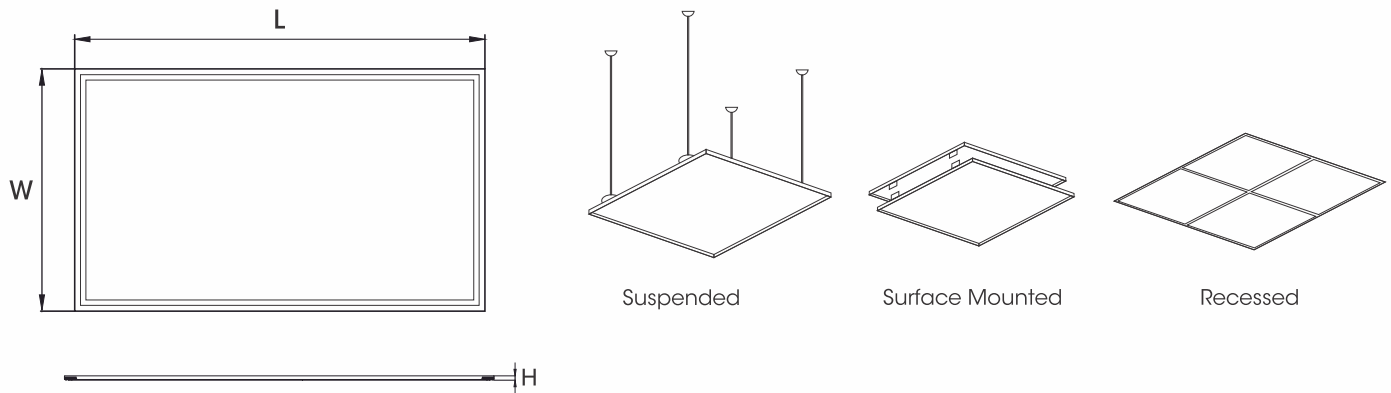


ECO-FRIENDLY



LED

Line Diagram :-



PANEL LIGHT - STANDARD SERIES

Product Name	Article No.	Power (W)	Size (L)	Size (W)	Power Factor	CRI	CCT (K)	Lumen (lm)	Life (Hours)
1x1 15W CW Panel Light	LXP-PL-15	15	295	295	≥0.93	≥80	3000 / 5000K	1350	50,000
2x1 22W CW Panel Light	LXP-PL-22	22	595	295	≥0.93	≥80	3000 / 5000K	1980	50,000
2x2 40W CW Panel Light	LXP-PL-40	40	595	595	≥0.93	≥80	3000 / 5000K	3600	50,000
4x1 40W CW Panel Light	LXP-PL-40	40	1195	295	≥0.93	≥80	3000 / 5000K	3600	50,000
4x1 54W CW Panel Light	LXP-PL-54	54	1195	295	≥0.93	≥80	3000 / 5000K	4860	50,000

SWITCH TO HIGHER LUMEN, SHED WATTS

Lightix Plus Street Lights ECO Series are designed to have modular configuration. Each module has a degree of freedom, by way of swivel which gives a flexibility to change its angle, increase the spread and optimize the light distribution as per specific lighting needs.



STREET LIGHT ECO SERIES

Features :-

- Modular design, CE certified
- Flexibility to change luminaire and LED module's angle to optimize and customize the spread of light distribution
- Specialized square optical lens for square light pattern
- Available with 4kV/15kV surge protection as per requirement
- Highly robust, durable and easy to install
- Excellent thermodynamic design
- Corrosion resistant and Aluminum body

Common Features :-

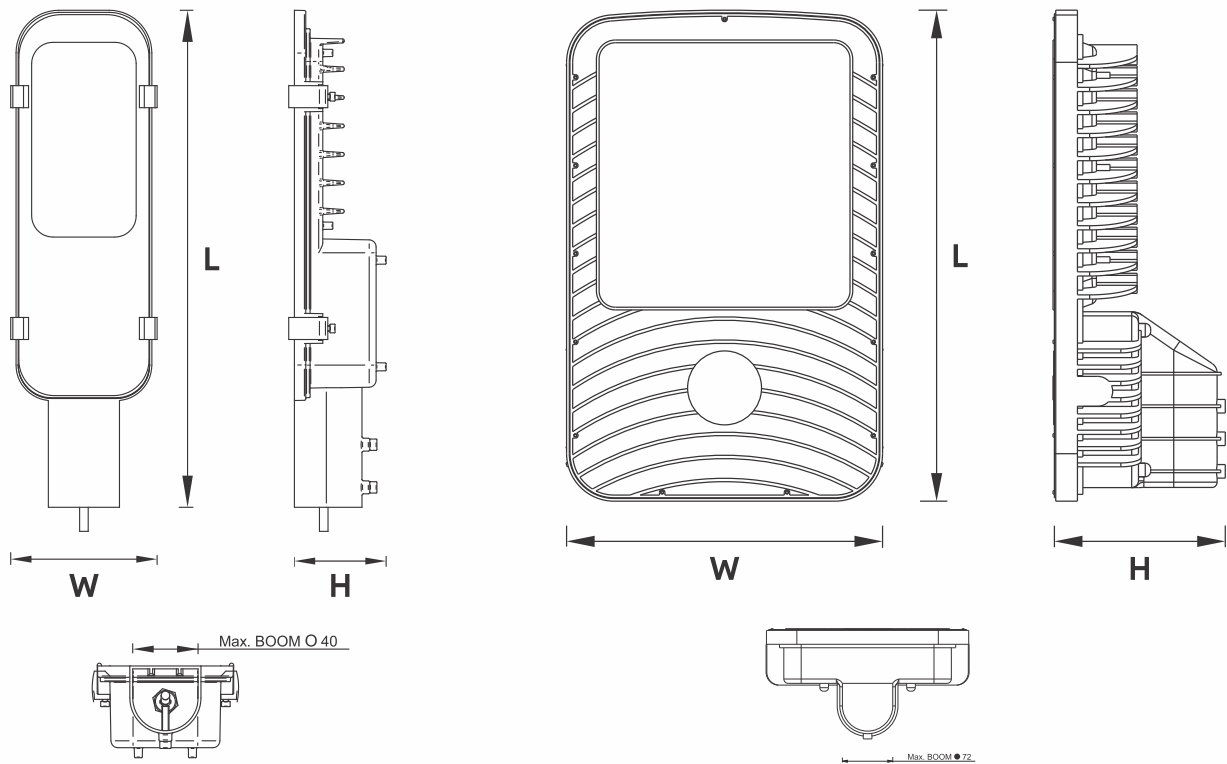
- CRI : >70
- IP65
- CCT : 5000K / 5000K
- Life Hours : 50,000

Applications :-

- Roads
- Campus
- Highways
- Parking



Line Diagram :-



STREET LIGHT - ECO SERIES

Product Name	Article No.	Power (W)	Size (W)	Size (L)	Power Factor	CRI	CCT (K)	Lumen (lm)	Life (Hours)
Street Light 25W	LXP-SL-25	25	95	350	≥0.95	≥70	3000 / 5000K	2,750	50,000
Street Light 50W	LXP-SL-50	50	160	395	≥0.95	≥70	3000 / 5000K	5,500	50,000
Street Light 100W	LXP-SL-100	100	235	365	≥0.95	≥70	3000 / 5000K	11,000	50,000
Street Light 120W	LXP-SL-120	120	280	555	≥0.95	≥70	3000 / 5000K	13,200	50,000
Street Light 150W	LXP-SL-150	150	280	555	≥0.95	≥70	3000 / 5000K	16,500	50,000
Street Light 200W	LXP-SL-200	200	160	530	≥0.95	≥70	3000 / 5000K	22,000	50,000



Get Unmatched Efficiency and Flexibility



Lightix Plus Flood Lights Discreet Series are the most sturdy and robust solution to light up open spaces like parks, grounds or parking lots etc. These lights have a high efficiency and come with a modular configuration that allows individual modules to be adjusted to reduce dark areas and increase the spread of light to suit the lighting needs.



FLOOD LIGHT DISCREET SERIES

Features :-

- Modular design, CE certified
- Flexibility to change luminaire and LED module's angle to optimize and customize the spread of light distribution
- Specialized square optical lens for square light pattern
- Available with 4kV/15kV surge protection as per requirement
- Highly robust, durable and easy to install
- Excellent thermodynamic design
- Corrosion resistant and Aluminum body

Common Features :-

- CRI : >70
- IP66
- CCT : 3000K / 5000K
- Life Hours : 50,000

Applications :-

- Bus / Truck Terminal
- Parking Lot
- Railyard
- Stadium
- Ship Dock
- Airport
- Ferry Terminal
- Container Depots



NO UV



NO IR



NO MERCURY

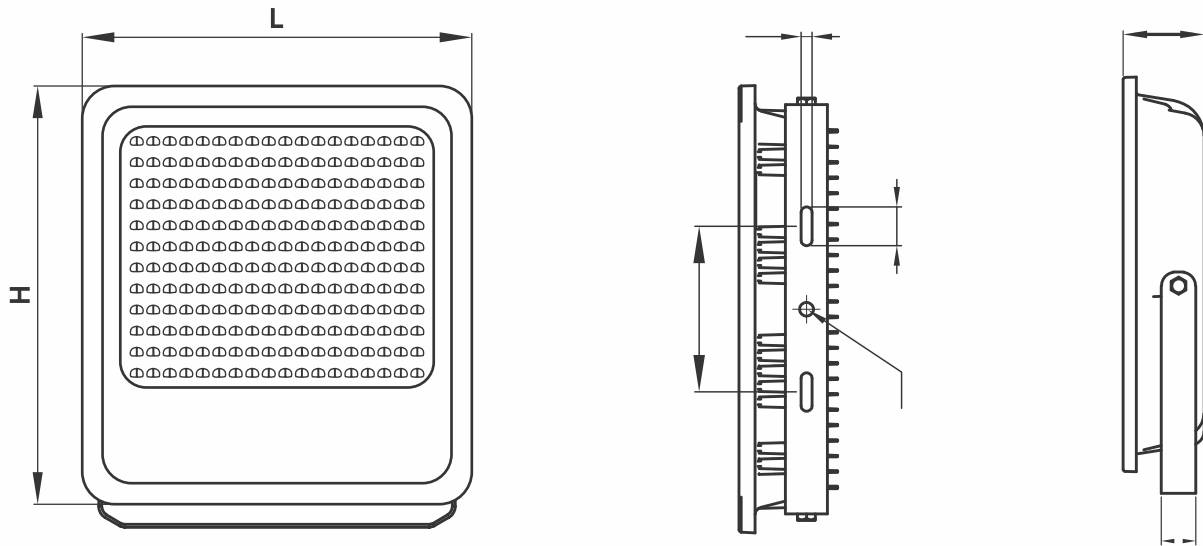


ECO-FRIENDLY



LED

Line Diagram :-



FLOOD LIGHT - DISCREET SERIES

Product Name	Article No.	Power (W)	Size (L)	Size (H)	Power Factor	CRI	CCT (K)	Lumen (lm)	Life (Hours)
Flood Light 50W	LXP-FL-050	50	280	310	≥0.95	≥70	3000 / 5000K	6,000	50,000
Flood Light 100W	LXP-FL-100	100	410	310	≥0.95	≥70	3000 / 5000K	12,000	50,000
Flood Light 150W	LXP-FL-150	150	410	310	≥0.95	≥70	3000 / 5000K	18,000	50,000
Flood Light 200W	LXP-FL-200	200	620	310	≥0.95	≥70	3000 / 5000K	24,000	50,000
Flood Light 250W	LXP-FL-250	250	620	310	≥0.95	≥70	3000 / 5000K	30,000	50,000

SWITCH TO HIGHER LUMEN, SHED WATTS



Lightix Plus High Bay lights UFO Series are designed with high performance and elegant looks in mind. These High Bay lights are robust in construction with a round shape providing a premium look for the high ceiling fixtures. The compact design has a variety of mounting options allowing for ease of installation on various types of ceilings. The intelligently crafted lens optics allows for high uniformity across the diameter of the area covered.



HIGH BAY LIGHT
UFO SERIES

Features :-

- Compact Design with high efficacy (120 lm/W)
- Glare Free, High Uniformity
- Loop hang and wall mounted for convenient installation and maintenance
- Unique heatsink design for stable product performance
- 60°/90°/110° Beam angle with Lens
- Built-in active PFC function

Common Features :-

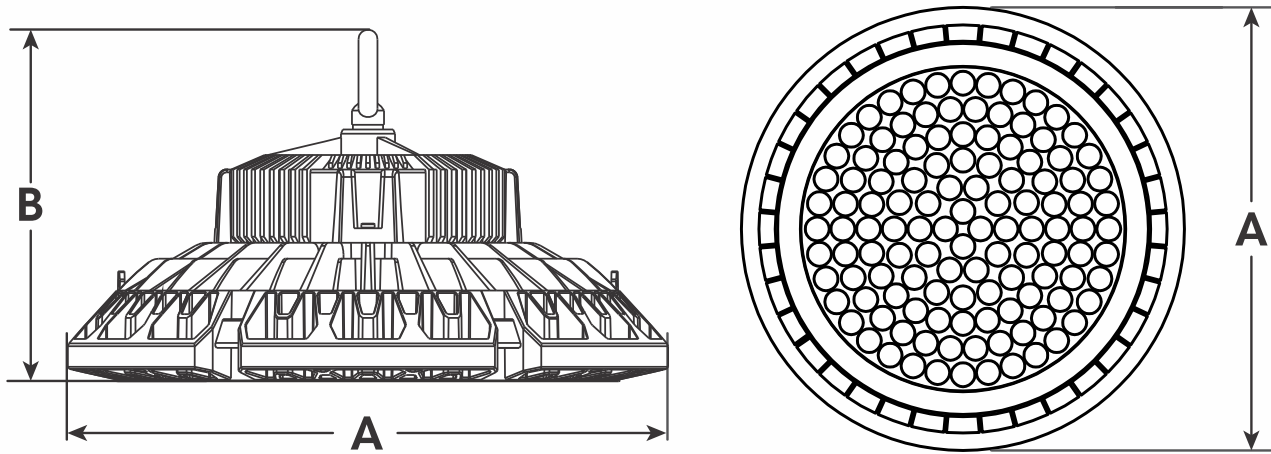
- CRI : >70
- IP66
- CCT : 3000K / 5000K
- Life Hours : 50,000

Applications :-

- Airport High Ceiling
- Factory, Workshop & Yard
- Indoor / Outdoor Sports Facilities
- Warehouse & High Ceiling Installation



Line Diagram :-



HIGH BAY LIGHT - UFO SERIES

Product Name	Article No.	Power (W)	Size (A)	Size (B)	Power Factor	CRI	CCT (K)	Lumen (lm)	Life (Hours)
High Bay Light 80W	LXP-HBL080	80	290	176	≥0.95	≥70	3000 / 5000K	9,600	50,000
High Bay Light 100W	LXP-HBL100	100	290	176	≥0.95	≥70	3000 / 5000K	12,000	50,000
High Bay Light 150W	LXP-HBL150	150	290	176	≥0.95	≥70	3000 / 5000K	18,000	50,000
High Bay Light 200W	LXP-HBL200	200	345	176	≥0.95	≥70	3000 / 5000K	24,000	50,000
High Bay Light 240W	LXP-HBL240	240	345	176	≥0.95	≥70	3000 / 5000K	28,800	50,000

Hassle Free All-In-One Integrated Solar Street Light



Lightix Plus Integrated Solar Street Lights are the first of its kind solar lighting solution with a solar panel, battery and charger, all integrated in a compact panel. These street lights also have an in-built motion sensor which dims the light output during low activity in the surroundings, thus saving power. They are extremely easy to install with no external wiring requirement.



STREET LIGHT
INTEGRATED SOLAR STREET LIGHT

Features :-

- All-in-one system with solar panel, battery, electronic control circuit, light-source & motion sensor integrated in single unit
- Easy to install due to plug and play design
- Self supporting design needs no external wires for connection
- Motion sensor that auto-adjusts light intensity to save energy
- 16 hours of battery back-up, or up to two days of independent function with motion sensor

Common Features :-

- CRI : >70
- IP66
- CCT : 3000K / 5000K
- Life Hours : 50,000

Applications :-

- Bus / Truck Terminal
- Parking Lot
- Railyard
- Stadium
- Ship Dock
- Airport
- Ferry Terminal
- Container Depots



NO UV



NO IR



NO MERCURY

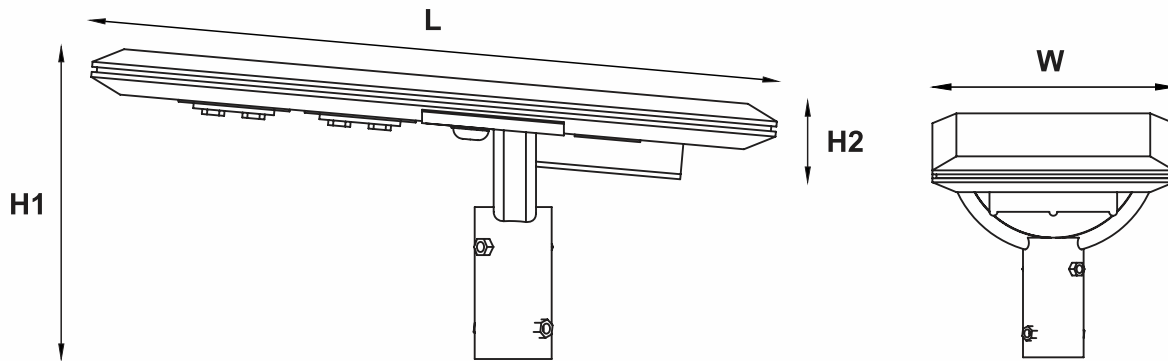


ECO-FRIENDLY



LED

Line Diagram :-



INTEGRATED SOLAR STREET LIGHT				
Product	Dimension (in mm)			
	L	W	H1	H2
LXP-ISSL-20W	678	303	310	84
LXP-ISSL-30W	812	303	320	84
LXP-ISSL-40W	963	303	330	84

INTEGRATED SOLAR STREET LIGHT

Product Name	Article No.	LED lumen at full bright condition	Solar Panel	Battery	Installation Height	Net Weight	Net Weight
20W Integrated Solar Street Light	LXP-ISSL-20W	1850 lm	18W Polycrystalline	3.7V 40Ah, Lithium-ion	2m - 3m	6 Kg	M1 : 30% brightness + PIR till dawn M2 : 5 hrs 100% brightness + 5 hrs PIR with 25% till dim light + 70% brightness till dawn M3 : 70% brightness till dawn
30W Integrated Solar Street Light	LXP-ISSL-30W	2700 lm	21.6W Polycrystalline	3.7V 50Ah, Lithium-ion	3m - 4m	7.2 Kg	
40W Integrated Solar Street Light	LXP-ISSL-40W	3550 lm	30.6W Polycrystalline	3.7V 70Ah, Lithium-ion	4m - 6m	8.5 Kg	





Bollard Light

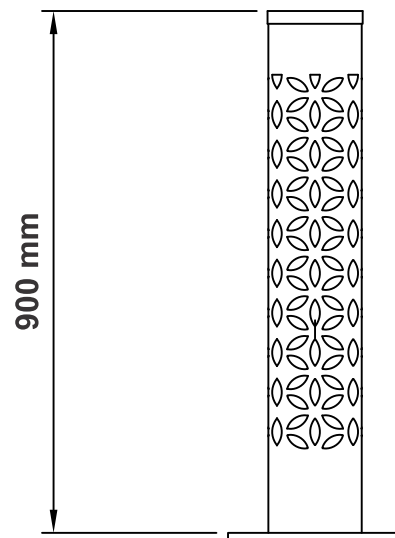


Common Features :-

- Stainless Steel
- Wattage : 20W / 30W / 40W
- Lumen : 100
- IP65

Applications :-

- Garden Lighting
- Pathway Lighting
- Shopping Mall Lighting
- Landscape Lighting



Product Benefits :-

- Hands-on, Graceful, Competent
- Enduring modern design opportunities
- Easy to sustain, vigorous and sturdy construction
- Sustainable LED technology with optimum light output

Available Finish :-

Pure polyester powder coated

- Graphite grey
- Anthracite grey
- Jet black

General

System Wattage	: 20W / 30W / 40W
Driver Integral	: Constant Current
Input Voltage	: 230-240V
Frequency	: 50-60 Hz
Operating Voltage	: 100-277V
Operating Temperature	: -15°C~+50°C

Light Source

Light Source	: OSRAM
LED Lumens	: 100 lumen per watt
CRI	: >80
LED Colour	: 3000K / 4000K / 5700K
Temperature	

Physical

Body	: Die Cast Aluminum
Diffuser	: Translucent Polycarbonate
Mounting	: Surface
Finish	: Powder Coated Graphite grey / Anthracite grey / Jet black

Driver

Power Supply	: Integral
Power Factor	: >0.95
THD	: <10%
Surge Protection	: 6KV
Efficiency	: >85%

GALASSIA LIGHT

Product Name	Article No.	Power (W)	Voltage	Lumen	CRI	IP	CCT
Galassia Light 20W	LXP - GALASSIA - 20	20	100~270V	100	>80	IP65	3000K - 5700K
Galassia Light 30W	LXP - GALASSIA - 30	30	100~270V	100	>80	IP65	3000K - 5700K
Galassia Light 40W	LXP - GALASSIA - 40	40	100~270V	100	>80	IP65	3000K - 5700K



Column Light



Graceful Column Light, appropriate for architecture and landscape lighting. Perfect for forming alignment with excellent visual ease. Spotless appearances and clean form are the fundamental essentials in this series of column light, designed to deliver uniform brightness, with illumination at 360°.



Technical Specifications :-

- Made of extruded aluminium alloy and with die-cast aluminium components and Stainless Steel Hardwares.
- These luminaries can be supplied in customized height
- Polycarbonate diffuser UV Protected
- Silicone gasket
- MS mounting plate with an anchorage unit made out of hot dip galvanized steel for extra guarantee against corrosion. Luminaire can be aligned on the mounting plate around 360°
- Integral constant current power supply
- CRI >80
- Available CCT : 3000K, 4000K, 5700K



NO UV



NO IR



NO MERCURY



ECO-FRIENDLY



LED

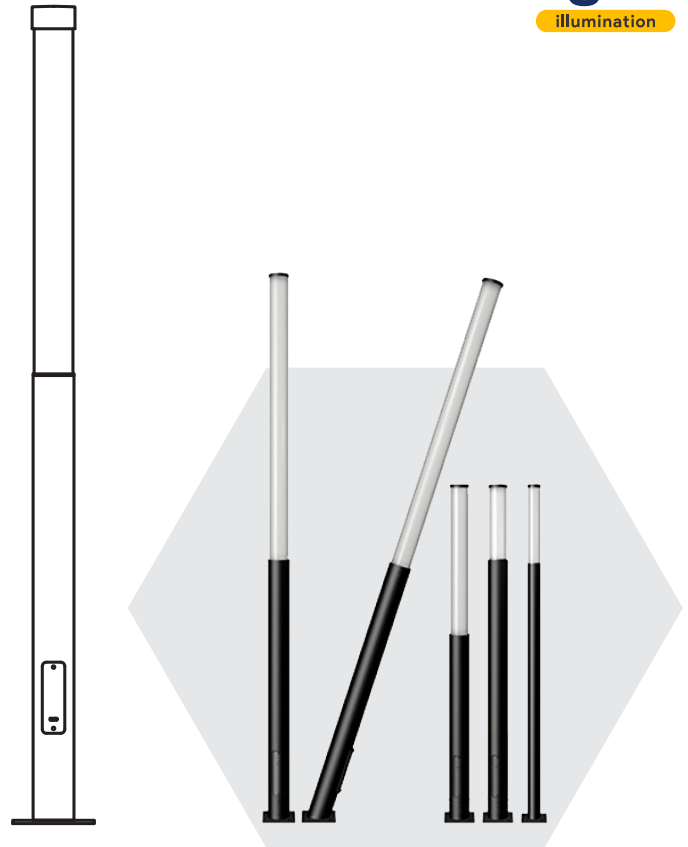
Product Benefits :-

- Hands-on, Graceful, Competent
- Enduring modern design opportunities
- Easy to sustain, vigorous and sturdy construction
- Sustainable LED technology with optimum light output

Available Finish :-

Pure polyester powder coated

- Graphite grey
- Anthracite grey
- Jet black



General

System Wattage	: 90W
Driver Integral	: Constant Current
Input Voltage	: 230-240V
Frequency	: 50-60 Hz
Operating Voltage	: 100-277V
Operating Temperature	: -15°C~+50°C

Physical

Body	: Extruded Aluminium
Diffuser	: Translucent Polycarbonate
Mounting	: Surface
Finish	: Powder Coated Graphite grey / Anthracite grey / Jet black

Light Source

Light Source	: OSRAM
LED Lumens	: 13500 lm
CRI	: >80
LED Colour Temperature	: 3000K / 4000K / 5700K

Driver

Power Supply	: Integral
Power Factor	: >0.95
THD	: <10%
Surge Protection	: 6KV
Efficiency	: >85%

Optical Performance

Light Distribution	: Symmetrical
--------------------	---------------

LED SOLAR Area Light

New LED Technology that allows the Coexistence
of Environmental Protection and Energy Saving.



Benefits :-

- Replace conventional Area Lights
- Precision Die Cast Aluminum Housing
- Fade Resistant Powder Coat Finish
- Easy Installation
- CE / ROHS listed

STREET LIGHT
INTEGRATED SOLAR
STREET LIGHT

CE **RoHS**



20-25W



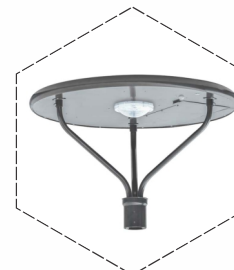
20-25W



20-25W



50W



50W



50W



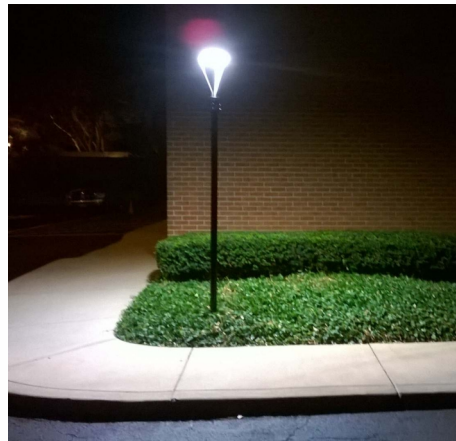
Features :-

- Beam angle : 120 degrees
- Aluminum die-casting heat sinks is good for heat dissipation
- It's major to replace the convention area light
- Green, energy saving, long and reliable life of 50,000 hours.
- No RF interference, No IR/UV radiation, no mercury pollution
- Wide colour availability in degrees Kelvin (K), 2700-6700K
- Streamline exterior design, beautiful appearance
- Environment friendly, energy saving (70~80%)
- Special circuit design, each LED work separately, avoiding the single broken LED influence problem.



Application :-

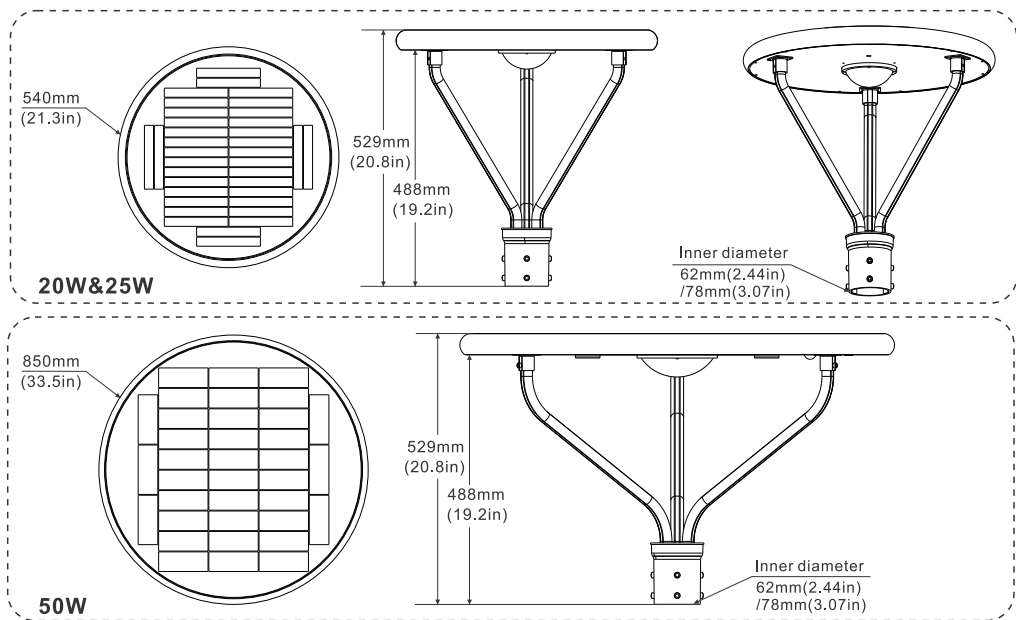
- Area Roadway / Roadway Lighting.
- Parking Areas Lighting
- Airports Lighting
- Streets capes Lighting
- Campuses Lighting



Specifications :-

LED MAX Power	20W	25W	50W
Model	BB-LD-S20W-AR-B	BB-LD-S25W-AR-B	BB-LD-S50W-AR-B
Solar panel Max power	18V/21W	18V/21W	18V/60W
Luminous Flux	3000-3200lm	3750-4000lm	7500-8000lm
Solar Panel Dimension	Dia540*41mm		Dia850*41mm
Mounting Height	3-5m		8-9m
Space Bettwen Light	10-15m		20-30m
Sensor	Default:PIR Sensor; Optional:Time Controller(no PIR Sensor). If you want PIR Sensor and Time Controller together, you must specify in advance.		Default:PIR Sensor& Time Controller together.
Luminous Efficacy	150-160lm/W		
Discharge Time	more than 10-12hours		
Charge Time	6-7hours(with enough strong shine)		
Solar Cell	High efficiency imported silicon solar cell		
Light Source	SMD LED		
Operation Temp.	-40 to +45°C		
CCT	2700K SW / 3000K WW / 4100K NW / 5000K DW / 5700K CW		
Life Span	50,000 hours		
IP	65		
Beam Angle	120°		
Warranty	3Years		

Dimensional Drawing :-



Get Unmatched Efficiency and Flexibility



Lightix Plus Underground Light Series are the most sturdy and robust solution to light up open spaces like parks, grounds or parking lots etc. These lights have a high efficiency and come with a modular configuration that allows individual modules to be adjusted to reduce dark areas and increase the spread of light to suit the lighting needs.



UNDERGROUND LIGHT SERIES

Features :-

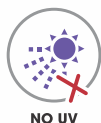
- LED Underground Light with high brightness SMD LEDs, great for illuminating your Garden, Pathway, Flower Beds, Trees, Courtyard, Flag, Walkway, Stone Wall, Doorway, Entertainment Square, Swimming Pool and More.
- High quality LED Light chip, lifetime up to 50,000 hours.
- Effective performance
- Easy to Install
- Consistent operation
- Affordable prices

Common Features :-

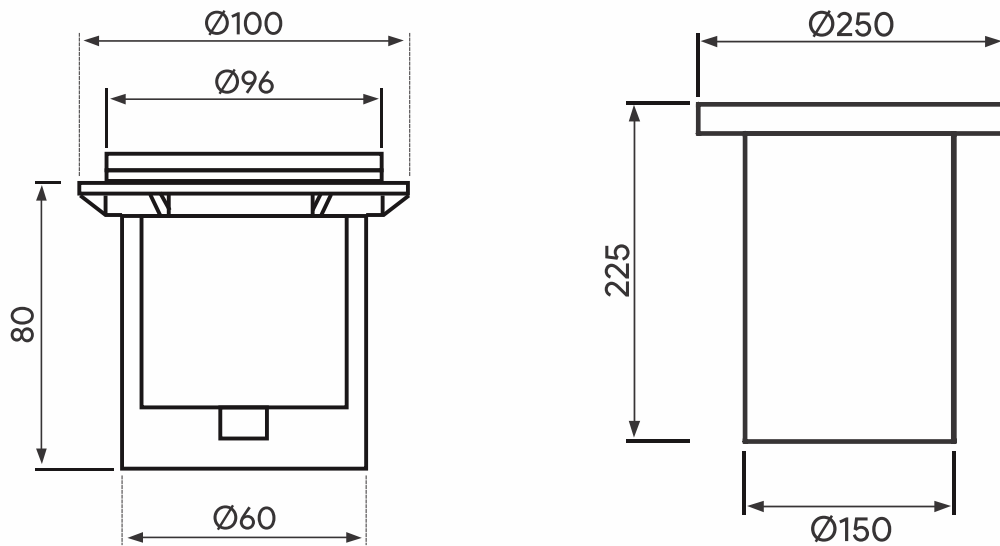
- CRI : >80
- IP66
- CCT : 3000K / 5000K
- Life Hours : 50,000

Applications :-

- Residential
- Hospitality
- Hospital
- Office
- Retail
- Bank



Line Diagram :-



UNDERGROUND - LIGHT SERIES

Product Name	Article No.	Power (W)	Dimensions	Power Factor	CRI	CCT (K)
Underground Light 03W	LXP-UG-03	03	100 mm x 60 mm	≥0.95	≥80	3000 / 5000K
Underground Light 06W	LXP-UG-06	06	100 mm x 60 mm	≥0.95	≥80	3000 / 5000K
Underground Light 09W	LXP-UG-09	09	100 mm x 60 mm	≥0.95	≥80	3000 / 5000K
Underground Light 12W	LXP-UG-12	12	250 mm x 150 mm	≥0.95	≥80	3000 / 5000K
Underground Light 15W	LXP-UG-15	15	250 mm x 150 mm	≥0.95	≥80	3000 / 5000K
Underground Light 18W	LXP-UG-18	18	250 mm x 150 mm	≥0.95	≥80	3000 / 5000K





Solar Post Top Light



UFO
SERIES

Common Features :-

- ABS / Aluminum Housing
- Wattage : 10W / 15W / 20W
- Battery : LiFePo4 3.2V / 15Ah
- Motion Sensor
- Lumen : 90
- IP65

Applications :-

- Garden Lighting
- Pathway Lighting
- Shopping Mall Lighting
- Parking Area Lighting



Pendant Light



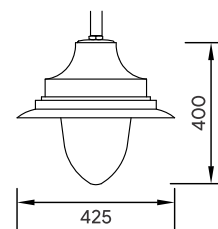
Features :-

- Compact design with high efficacy (100 lm/W)
- Flexibility to change luminaire and LED module's angle to optimize and customize the spread of light distribution
- Specialized square optical lens for square light pattern
- Available with 4kV/15kV surge protection as per requirement
- Highly robust, durable and easy to install
- Excellent thermodynamic design
- Corrosion resistant and Aluminum body

Common Features :-

- Wattage : 30W / 40W / 60W / 70W
- CCT : 3000K to 5700K
- Life Hours : 50,000
- CRI : >80 | IP65

SOLE LIGHT SERIES



Applications :-

- Gate Lighting
- Garden Lighting
- Pathway Lighting
- Outdoor Lighting



Product Benefits :-

- Hands-on, Graceful, Competent
- Enduring modern design opportunities
- Easy to sustain, vigorous and sturdy construction
- Sustainable LED technology with optimum light output

Available Finish :-

Pure polyester powder coated

- Graphite grey
- Anthracite grey
- Jet black

General

System Wattage	: 40W / 60W / 80W
Driver Integral	: Constant Current
Input Voltage	: 230-240V
Frequency	: 50-60 Hz
Operating Voltage	: 100-277V
Operating Temperature	: -15°C~+50°C

Light Source

Light Source	: OSRAM
LED Lumens	: 100 lumen per watt
CRI	: >80
LED Colour	: 3000K / 4000K / 5700K
Temperature	

Physical

Body	: Die Cast Aluminum
Diffuser	: Translucent Polycarbonate
Mounting	: Surface
Finish	: Powder Coated Graphite grey / Anthracite grey / Jet black

Driver

Power Supply	: Integral
Power Factor	: >0.95
THD	: <10%
Surge Protection	: 6KV
Efficiency	: >85%

SOLE LIGHT

Product Name	Article No.	Power (W)	Voltage	Lumen	CRI	IP	CCT
Sole Light 30W	LXP - SOLE - 30	30	100~270V	100	>80	IP65	3000K - 5700K
Sole Light 40W	LXP - SOLE - 40	40	100~270V	100	>80	IP65	3000K - 5700K
Sole Light 60W	LXP - SOLE - 60	60	100~270V	100	>80	IP65	3000K - 5700K
Sole Light 70W	LXP - SOLE - 70	70	100~270V	100	>80	IP65	3000K - 5700K



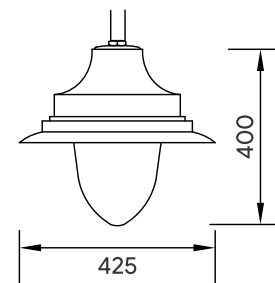
Pendant Light



Features :-

- Compact design with high efficacy (100 lm/W)
- Glare Free, High Uniformity
- Loop hang and wall mounted for convenient installation and maintenance
- Unique heatsink design for stable product performance
- Polycarbonate diffuser
- Highly robust, durable and easy to install

LUNARE



Common Features :-

- Wattage : 40W / 60W / 80W
- CCT : 3000K to 5700K
- Life Hours : 50,000
- CRI : >80 | IP65

Applications :-

- Gate Lighting
- Garden Lighting
- Street Lighting
- Pathway Lighting



Product Benefits :-

- Hands-on, Graceful, Competent
- Enduring modern design opportunities
- Easy to sustain, vigorous and sturdy construction
- Sustainable LED technology with optimum light output

Available Finish :-

Pure polyester powder coated

- Graphite grey
- Anthracite grey
- Jet black

General

System Wattage	: 40W / 60W / 80W
Driver Integral	: Constant Current
Input Voltage	: 230-240V
Frequency	: 50-60 Hz
Operating Voltage	: 100-277V
Operating Temperature	: -15°C~+50°C

Light Source

Light Source	: OSRAM
LED Lumens	: 100 Lumens Per Watt
CRI	: >80
LED Colour	: 3000K / 4000K / 5700K
Temperature	

Physical

Body	: Extruded Aluminium
Diffuser	: Translucent Polycarbonate
Mounting	: Surface
Finish	: Powder Coated Graphite grey / Anthracite grey / Jet black

Driver

Power Supply	: Integral
Power Factor	: >0.95
THD	: <10%
Surge Protection	: 6KV
Efficiency	: >85%

LUNARE LIGHT

Product Name	Article No.	Power (W)	Voltage	Lumen	CRI	IP	CCT
Lunare Light 40W	LXP - LUNARE - 40	40	100~270V	100	>80	IP65	3000K - 5700K
Lunare Light 60W	LXP - LUNARE - 60	60	100~270V	100	>80	IP65	3000K - 5700K
Lunare Light 80W	LXP - LUNARE - 80	80	100~270V	100	>80	IP65	3000K - 5700K



Post Top Light



MOON

SERIES

Features :-

- Compact design dia cast aluminum with high efficacy (100 lm/W)
- Glare Free, High Uniformity
- Loop hang and wall mounted for convenient installation and maintenance
- Unique heatsink design for stable product performance
- Polycarbonate diffuser
- Highly robust, durable and easy to install

Common Features :-

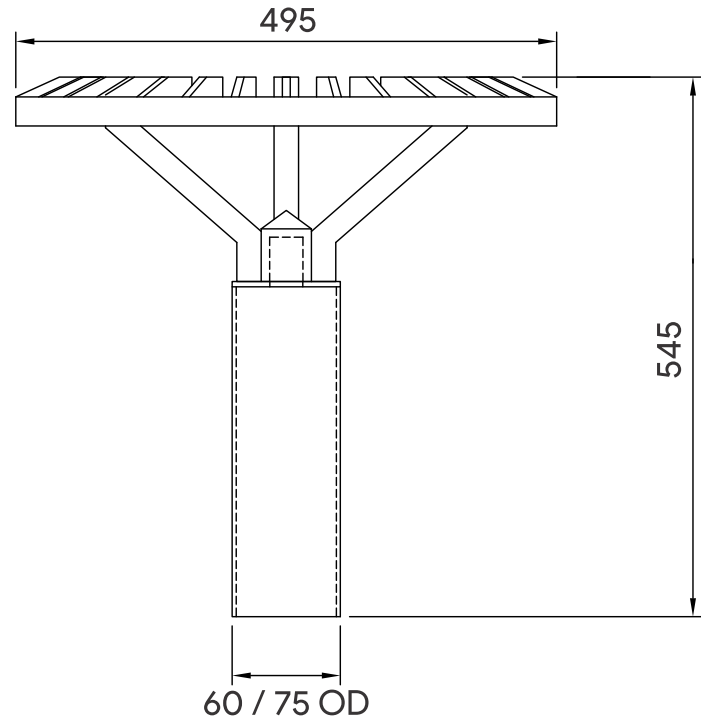
- Wattage : 40W / 60W / 90W
- CCT : 3000K to 5700K
- Life Hours : 50,000
- CRI : >70 | IP65

Applications :-

- Garden Lighting
- Street Lighting
- Pathway Lighting



Line Diagram :-



MOON LIGHT

Product Name	Article No.	Power (W)	Voltage	Lumen	CRI	IP	CCT
Moon Light 40W	LXP - MOON - 40	40	100~270V	100	>70	IP65	3000K - 5700K
Moon Light 60W	LXP - MOON - 60	60	100~270V	100	>70	IP65	3000K - 5700K
Moon Light 90W	LXP - MOON - 90	90	100~270V	100	>70	IP65	3000K - 5700K





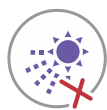
Post Top Light



SIGNORE
SERIES

Features :-

- Housing : Die-Cast Aluminum
- Thermal Conductivity : 96 W/m·K
- Led: OSRAM
- CRI : Ra>70
- SDCM : <6
- Power Factor : >0.95
- THD : <15
- Driver : Meanwell
- Driver Efficiency : >93%
- Protection : OTP, OCP, OVP, SCP
- Surge Protection : 6KV
- Waterproof : IP66
- Impact Test : IK08
- Electrical : 100-277V, 50/60Hz
- Operating Temperature : -40~50
- Tm21 : L90B10>50,000H
- Lifetime: 50,000H



NO UV



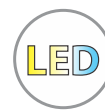
NO IR



NO MERCURY

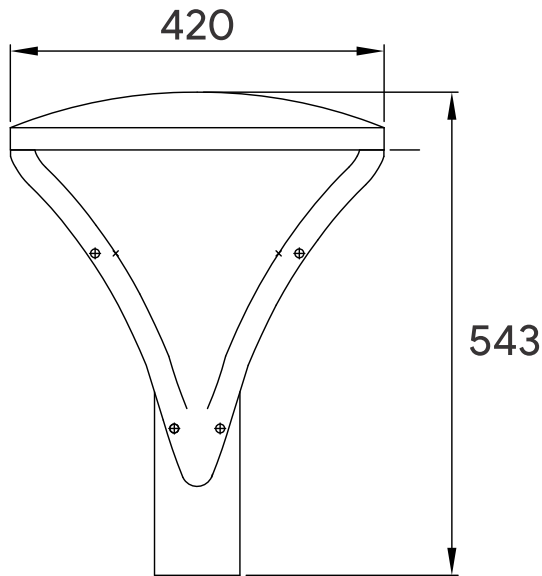


ECO-FRIENDLY

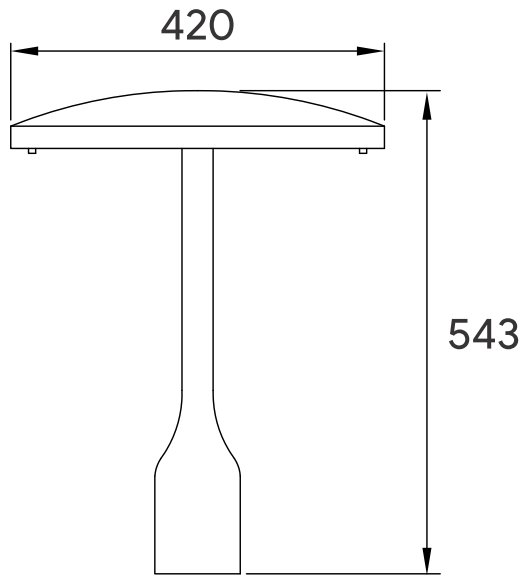


LED

Line Diagram :-



FRONT VIEW



SIDE VIEW

SIGNORE POST TOP LIGHT

Product Name	Article No.	Power (W)	Voltage	Lumen	CRI	IP
Signore Light 30W	LXP-SIGNORE-30	30	100~270V	5100	>70	IP66
Signore Light 40W	LXP-SIGNORE-40	40	100~270V	6800	>70	IP66
Signore Light 60W	LXP-SIGNORE-60	60	100~270V	9600	>70	IP66
Signore Light 90W	LXP-SIGNORE-90	90	100~270V	13500	>70	IP66



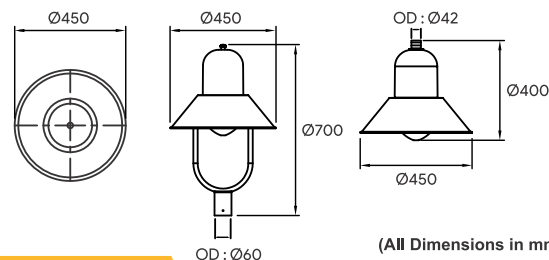
Post Top Light



Features :-

- Housing : Die-cast Aluminum
- Led: OSRAM
- CRI : Ra>70
- SDCM : <5
- Power Factor : >0.95
- THD : <15
- Driver : Meanwell
- Driver Efficiency : >93%
- Protection : OTP, OCP, OVP, SCP
- Surge Protection : 6KV
- Waterproof : IP66
- Electrical : 100-277V, 50/60Hz
- Operating Temperature : -40~50
- Lifetime: 50,000H

REGNO SERIES



Applications :-

- Bus / Truck Terminal
- Parking Lot
- Railyard
- Stadium
- Ship Dock
- Airport
- Ferry Terminal
- Container Depots



NO UV



NO IR



NO MERCURY

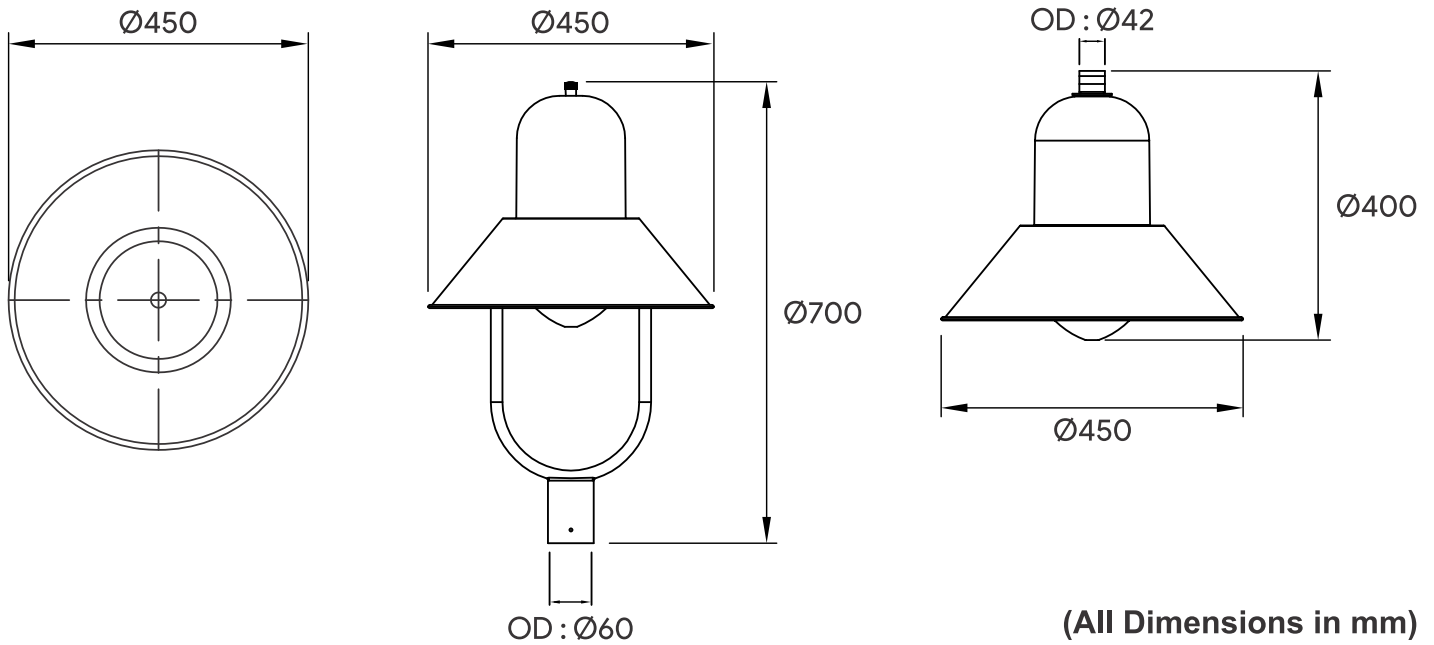


ECO-FRIENDLY



LED

Line Diagram :-



REGNO POST TOP LIGHT

Product Name	Article No.	Power (W)	Voltage	Lumen	CRI	IP
Regno Light 30W	LXP - REGNO - 30	30	100~270V	3000	>70	IP66
Regno Light 40W	LXP - REGNO - 40	40	100~270V	4000	>70	IP66
Regno Light 50W	LXP - REGNO - 50	50	100~270V	5000	>70	IP66
Regno Light 60W	LXP - REGNO - 60	60	100~270V	6000	>70	IP66



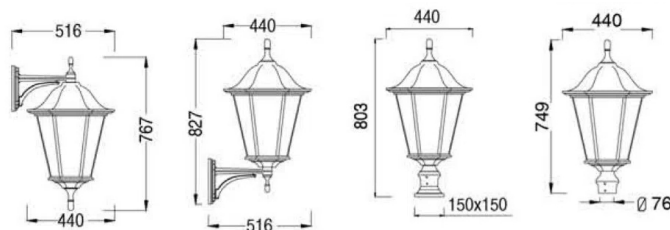
Post Top Light



FASCINO

Features :-

- Compact design with high efficacy (100 lm/W)
- Glare Free, High Uniformity
- Loop hang and wall mounted for convenient installation and maintenance
- Unique heatsink design for stable product performance
- Polycarbonate diffuser
- Highly robust, durable and easy to install



Common Features :-

- Wattage : 40W / 60W / 80W
- CCT : 3000K to 5700K
- Life Hours : 50,000
- CRI : >90 | IP65

Applications :-

- Gate Lighting
- Garden Lighting
- Street Lighting
- Pathway Lighting



Product Benefits :-

- Hands-on, Graceful, Competent
- Enduring modern design opportunities
- Easy to sustain, vigorous and sturdy construction
- Sustainable LED technology with optimum light output

Available Finish :-

Pure polyester powder coated

- Graphite grey
- Anthracite grey
- Jet black

General

System Wattage	: 40W / 60W / 80W
Driver Integral	: Constant Current
Input Voltage	: 230-240V
Frequency	: 50-60 Hz
Operating Voltage	: 100-277V
Operating Temperature	: -15°C~+50°C

Light Source

Light Source	: OSRAM
LED Lumens	: 100 lumen per watt
CRI	: >80
LED Colour	: 3000K / 4000K / 5700K
Temperature	

Physical

Body	: Die Cast Aluminum
Diffuser	: Translucent Polycarbonate
Mounting	: Surface
Finish	: Powder Coated Graphite grey / Anthracite grey / Jet black

Driver

Power Supply	: Integral
Power Factor	: >0.95
THD	: <10%
Surge Protection	: 6KV
Efficiency	: >85%

FASCINO LIGHT

Product Name	Article No.	Power (W)	Voltage	Lumen	CRI	IP	CCT
Fascino Light 40W	LXP - FASCINO- 40	40	100~270V	100	>80	IP65	3000K - 5700K
Fascino Light 60W	LXP - FASCINO - 60	60	100~270V	100	>80	IP65	3000K - 5700K
Fascino Light 80W	LXP - FASCINO - 80	80	100~270V	100	>80	IP65	3000K - 5700K

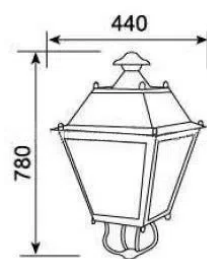




Post Top Light



FORTUNA



Features :-

- Compact design with high efficacy (100 lm/W)
- Glare Free, High Uniformity
- Loop hang and wall mounted for convenient installation and maintenance
- Unique heatsink design for stable product performance
- Polycarbonate diffuser
- Highly robust, durable and easy to install

Common Features :-

- Wattage : 40W / 60W / 80W
- CCT : 3000K to 5700K
- Life Hours : 50,000
- CRI : >80 | IP65

Applications :-

- Gate Lighting
- Garden Lighting
- Street Lighting
- Pathway Lighting



Product Benefits :-

- Hands-on, Graceful, Competent
- Enduring modern design opportunities
- Easy to sustain, vigorous and sturdy construction
- Sustainable LED technology with optimum light output

Available Finish :-

Pure polyester powder coated

- Graphite grey
- Anthracite grey
- Jet black

General

System Wattage	: 40W / 60W / 80W
Driver Integral	: Constant Current
Input Voltage	: 230-240V
Frequency	: 50-60 Hz
Operating Voltage	: 100-277V
Operating Temperature	: -15°C~+50°C

Light Source

Light Source	: OSRAM
LED Lumens	: 100 lumen per watt
CRI	: >80
LED Colour	: 3000K / 4000K / 5700K
Temperature	

Physical

Body	: Die Cast Aluminum
Diffuser	: Translucent Polycarbonate
Mounting	: Surface
Finish	: Powder Coated Graphite grey / Anthracite grey / Jet black

Driver

Power Supply	: Integral
Power Factor	: >0.95
THD	: <10%
Surge Protection	: 6KV
Efficiency	: >85%

FORTUNA LIGHT

Product Name	Article No.	Power (W)	Voltage	Lumen	CRI	IP	CCT
Fortuna Light 40W	LXP - FORTUNA - 40	40	100~270V	100	>80	IP65	3000K - 5700K
Fortuna Light 60W	LXP - FORTUNA - 60	60	100~270V	100	>80	IP65	3000K - 5700K
Fortuna Light 80W	LXP - FORTUNA - 80	80	100~270V	100	>80	IP65	3000K - 5700K





Post Top Light



ROMEO

Features :-

- Compact design with high efficacy (100 lm/W)
- Flexibility to change luminaire and LED module's angle to optimize and customize the spread of light distribution
- Specialized square optical lens for square light pattern
- Available with 4kV/15kV surge protection as per requirement
- Highly robust, durable and easy to install
- Excellent thermodynamic design
- Corrosion resistant and Aluminum body

Common Features :-

- Wattage : 30W / 40W / 60W / 70W
- CCT : 3000K to 5700K
- Life Hours : 50,000
- CRI : >80 / IP65

Applications :-

- Gate Lighting
- Garden Lighting
- Street Lighting
- Pathway Lighting



NO UV



NO IR



NO MERCURY



ECO-FRIENDLY



LED

Product Benefits :-

- Hands-on, Graceful, Competent
- Enduring modern design opportunities
- Easy to sustain, vigorous and sturdy construction
- Sustainable LED technology with optimum light output

Available Finish :-

Pure polyester powder coated

- Graphite grey
- Anthracite grey
- Jet black

General

System Wattage	: 30W / 40W / 60W / 70W
Driver Integral	: Constant Current
Input Voltage	: 230-240V
Frequency	: 50-60 Hz
Operating Voltage	: 100-277V
Operating Temperature	: -15°C~+50°C

Light Source

Light Source	: OSRAM
LED Lumens	: 100 lumen per watt
CRI	: >80
LED Colour	: 3000K / 4000K / 5700K
Temperature	

Physical

Body	: Die Cast
Diffuser	: Translucent Polycarbonate
Mounting	: Surface
Finish	: Powder Coated Graphite grey / Anthracite grey / Jet black

Driver

Power Supply	: Integral
Power Factor	: >0.95
THD	: <10%
Surge Protection	: 6KV
Efficiency	: >85%

ROMEO LIGHT

Product Name	Article No.	Power (W)	Voltage	Lumen	CRI	IP	CCT
Romeo Light 30W	LXP - ROMEO - 30	30	100~270V	100	>80	IP65	3000K - 5700K
Romeo Light 40W	LXP - ROMEO - 40	40	100~270V	100	>80	IP65	3000K - 5700K
Romeo Light 60W	LXP - ROMEO - 60	60	100~270V	100	>80	IP65	3000K - 5700K
Romeo Light 70W	LXP - ROMEO - 70	70	100~270V	100	>80	IP65	3000K - 5700K





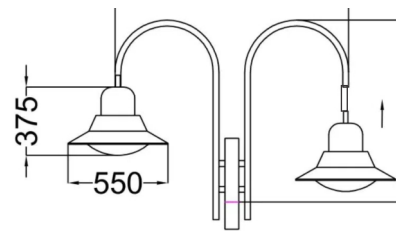
Post Top Light



Features :-

- Compact Design with high efficacy (100 lm/W)
- Glare Free, High Uniformity
- Loop hang and wall mounted for convenient installation and maintenance
- Unique heatsink design for stable product performance
- Highly robust, durable and easy to install
- Polycarbonate diffuser

ZEUS



Common Features :-

- Wattage : 40W / 60W / 80W
- CCT : 3000K to 5700K
- Life Hours : 50,000
- CRI : >80 | IP65

Applications :-

- Gate Lighting
- Garden Lighting
- Street Lighting
- Pathway Lighting



Product Benefits :-

- Hands-on, Graceful, Competent
- Enduring modern design opportunities
- Easy to sustain, vigorous and sturdy construction
- Sustainable LED technology with optimum light output

Available Finish :-

Pure polyester powder coated

- Graphite grey
- Anthracite grey
- Jet black

General

System Wattage	: 40W / 60W / 80W
Driver Integral	: Constant Current
Input Voltage	: 230-240V
Frequency	: 50-60 Hz
Operating Voltage	: 100-277V
Operating Temperature	: -15°C~+50°C

Light Source

Light Source	: OSRAM
LED Lumens	: 100 Lumens Per Watt
CRI	: >80
LED Colour	: 3000K / 4000K / 5700K
Temperature	

Physical

Body	: Extruded Aluminium
Diffuser	: Translucent Polycarbonate
Mounting	: Surface
Finish	: Powder Coated Graphite grey / Anthracite grey / Jet black

Driver

Power Supply	: Integral
Power Factor	: >0.95
THD	: <10%
Surge Protection	: 6KV
Efficiency	: >85%

ZEUS LIGHT

Product Name	Article No.	Power (W)	Voltage	Lumen	CRI	IP	CCT
Zeus Light 40W	LXP - ZEUS - 40	40	100~270V	100	>80	IP65	3000K - 5700K
Zeus Light 60W	LXP - ZEUS - 60	60	100~270V	100	>80	IP65	3000K - 5700K
Zeus Light 80W	LXP - ZEUS - 80	80	100~270V	100	>80	IP65	3000K - 5700K



Architectural Lighting



Features :-

- Compact Design with high efficacy (100 lm/W)
- Glare Free, High Uniformity
- Loop hang and wall mounted for convenient installation and maintenance
- Unique heatsink design for stable product performance
- Highly robust, durable and easy to install
- Silicon neon flex

SPLENDORE

SERIES

Common Features :-

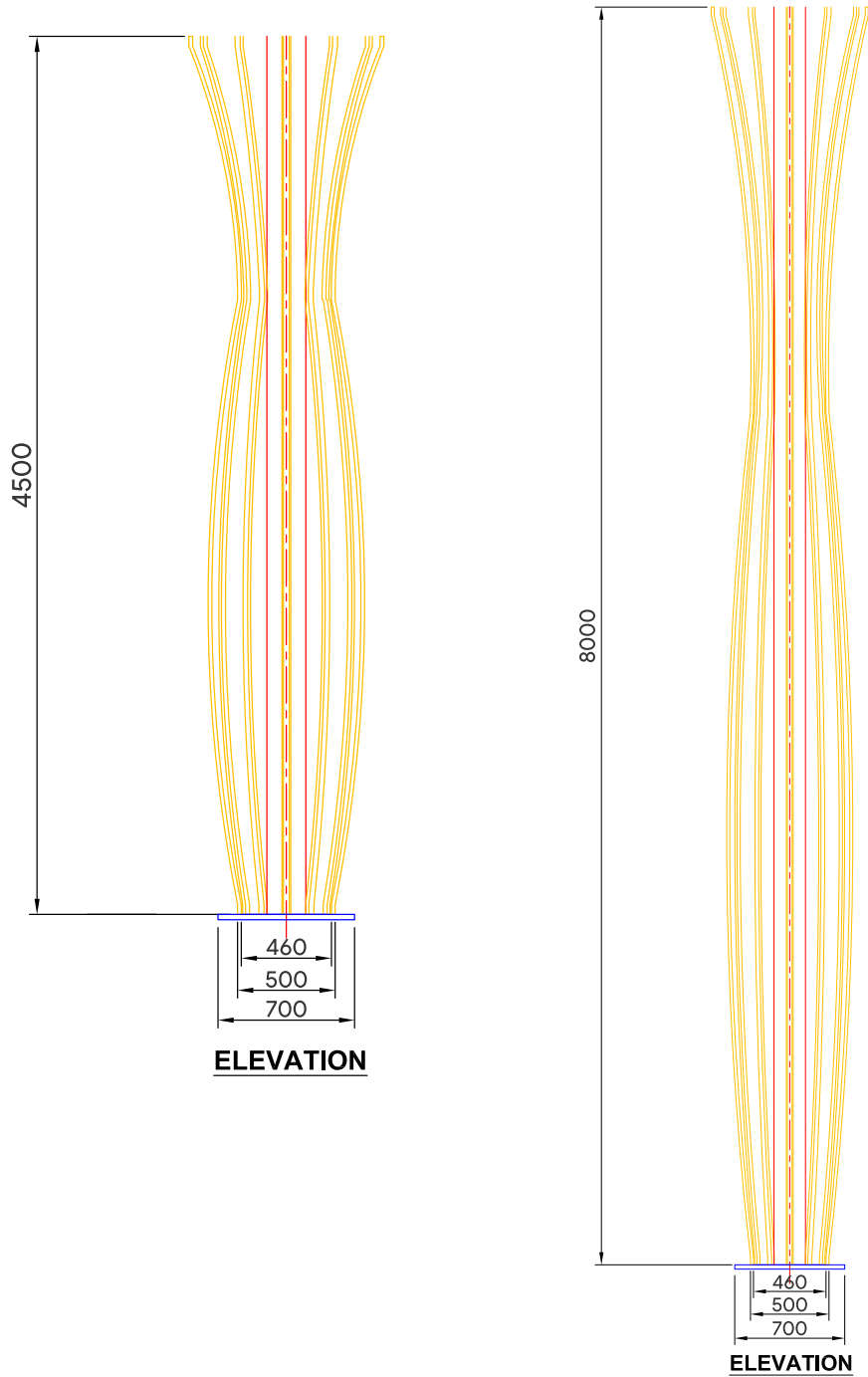
- Wattage : 100W / 200W / 300W / 400W / 600W
- CCT : 3500K / 4500K / 5500K
- Life Hours : 50,000
- CRI : >80 | IP65

Applications :-

- Garden Lighting
- Pathway Lighting
- Shopping Mall Lighting
- Parking Area Lighting



Line Diagram :-



Height Available : 800 mm / 1.6 mtr / 2.5 mtr / 3 mtr / 4.5 mtr



Bollard Lights



DINO



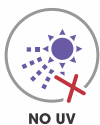
CIRA



CIARISS



DONNA



NO UV



NO IR



NO MERCURY



ECO-FRIENDLY



LED



EDITA



ELMO



SPITALE



CILINDRO



NO UV



NO IR



NO MERCURY



ECO-FRIENDLY



LED



CUPOLA



LINEARE



SQUILLO



QUADRA



Architectural Lights



ELEGANTE



CERCHIO



BELLEZA



CORNICI





SANJOG ENGINEERS AND CONSULTANTS

Mob : 9717746203 / 9891428489 | Email : sjec1105@yahoo.com or sales@lightixplus.com



Scan the QR code
to visit the website